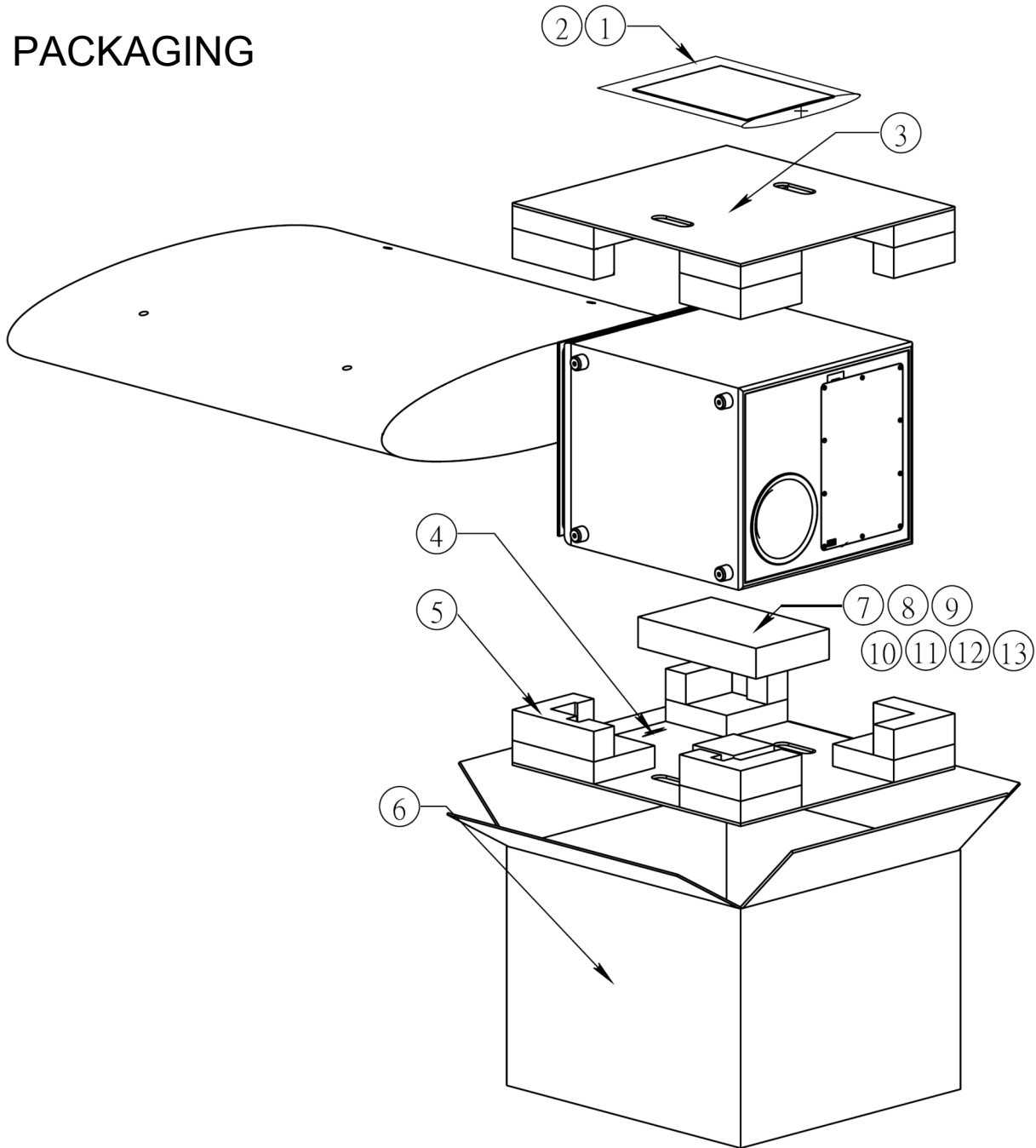


PACKAGING



ITEM #	PART NUMBER	DESCRIPTION	QTY
1	Visit www.infinitysystems.com	PS212W Owner's Manual	1
2	405-000-05110-E	Warranty Card	1
3	431-000-05960-E	Top Packing Foam	1
4	152-U60201A02-E	120v AC cord for PS212W	1
5	431-000-06695-E	Bottom Packing Foam	1
6	400-000-08717-E	Outer Carton PS212W (Cherry)	1
	400-000-08713-E	Outer Carton PS212W (Beech)	1
	400-000-08399-E	Outer Carton PS212W (Black)	1
7	015-7500-00036-E	Complete Transmitter Ass'y	1
8	151-OGPE15200-E	Power Supply, transmitter	1
9		120v AC cord for Power Supply	1
10	165-045801100-E	15 ft. Audio cable RCA-RCA	1
11	165-02000101-E	6 ft. Audio cable RCA-RCA	1
12	373-000-05067-E	Adhesive feet, round, (set 4)	1
13	376-000-01092-E	Wall Mount Bracket, transmitter	1